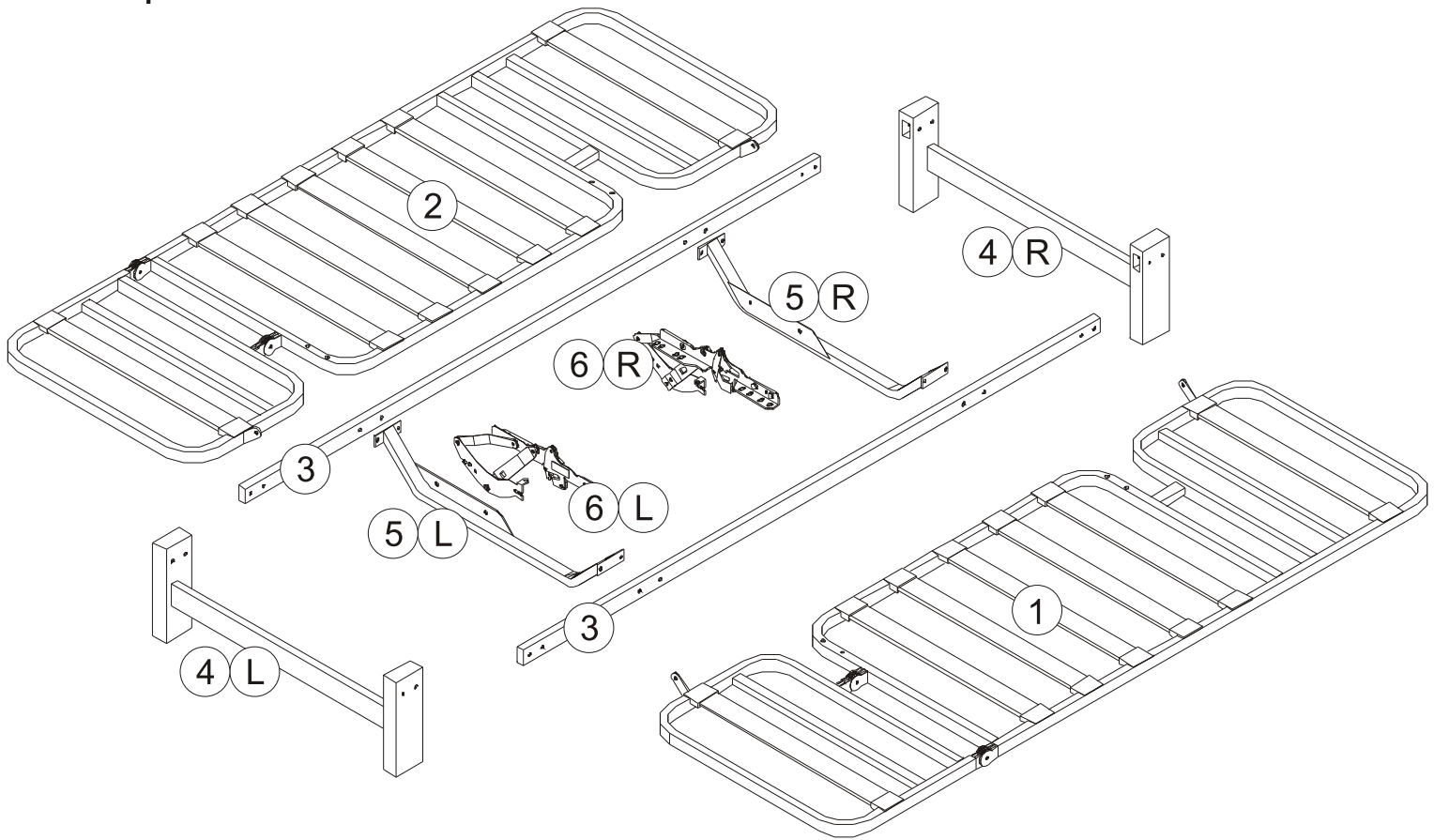


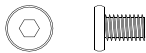
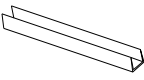
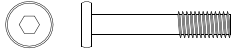
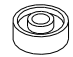
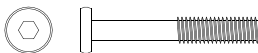


Madrid 3 Seater



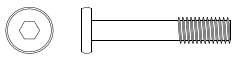
Components



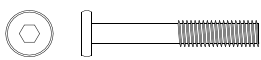
Hardware & Tools

Num	Item	Qty.	Num	Item	Qty.
A		4	E		8
B		10	F		2
C		16			
D		30			

1.



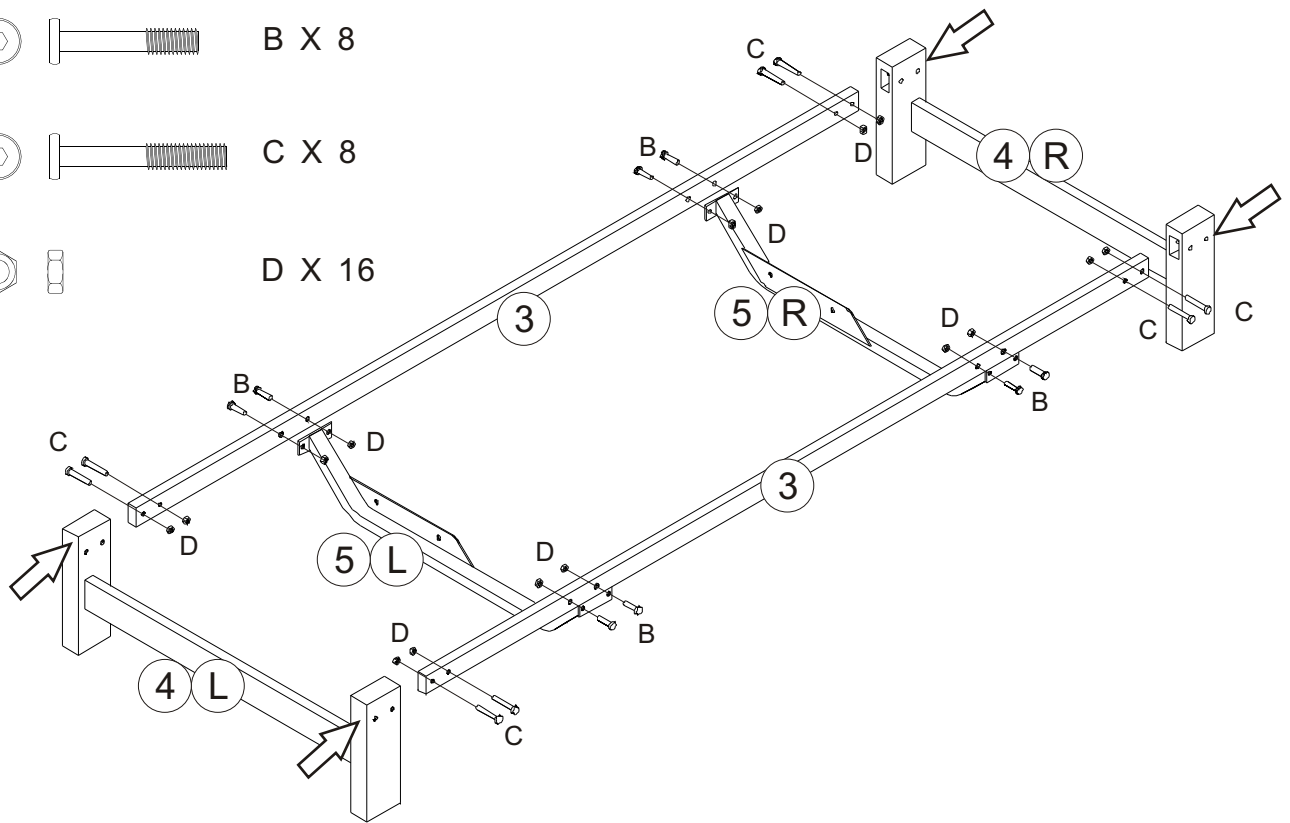
B X 8



C X 8



D X 16



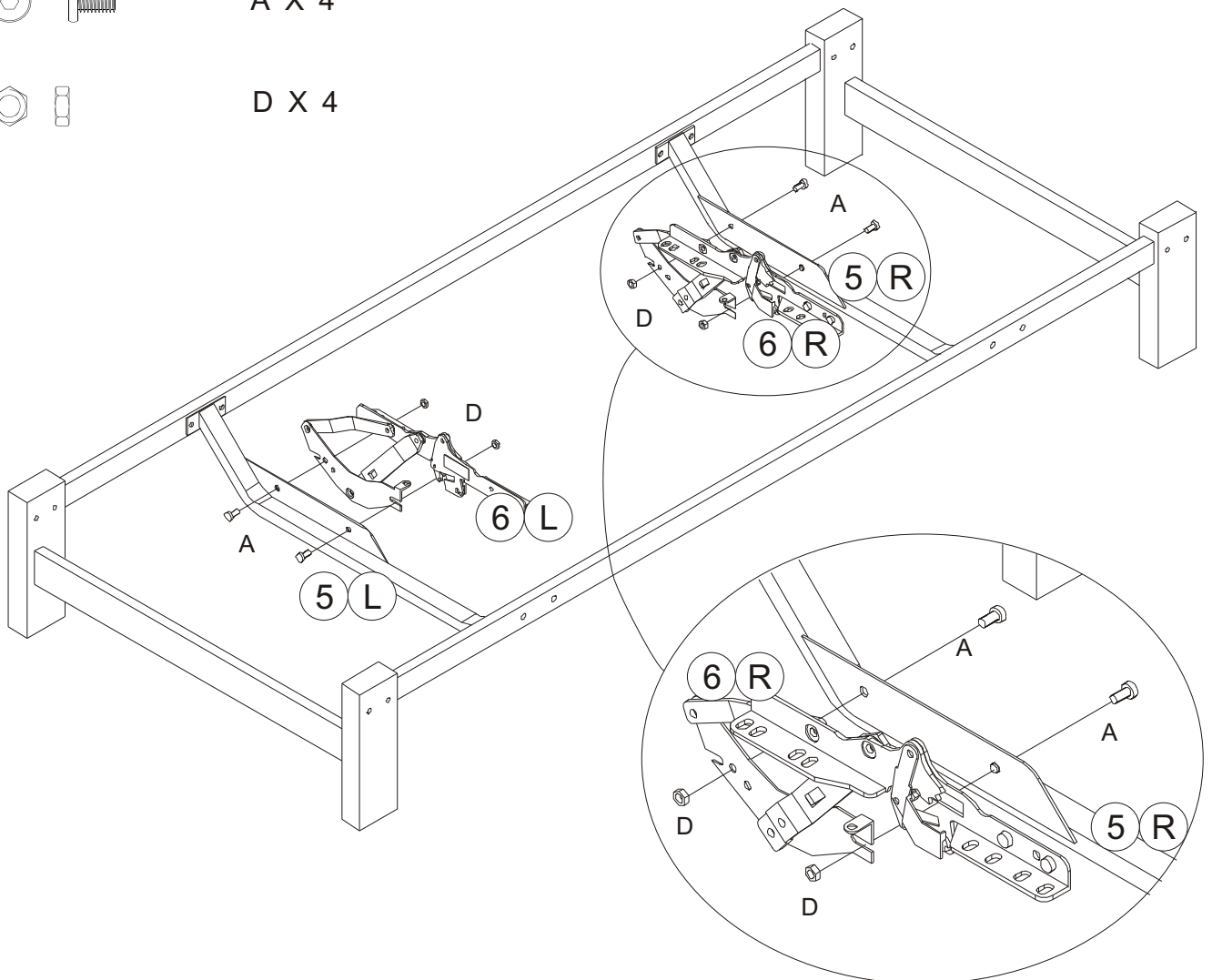
2.



A X 4



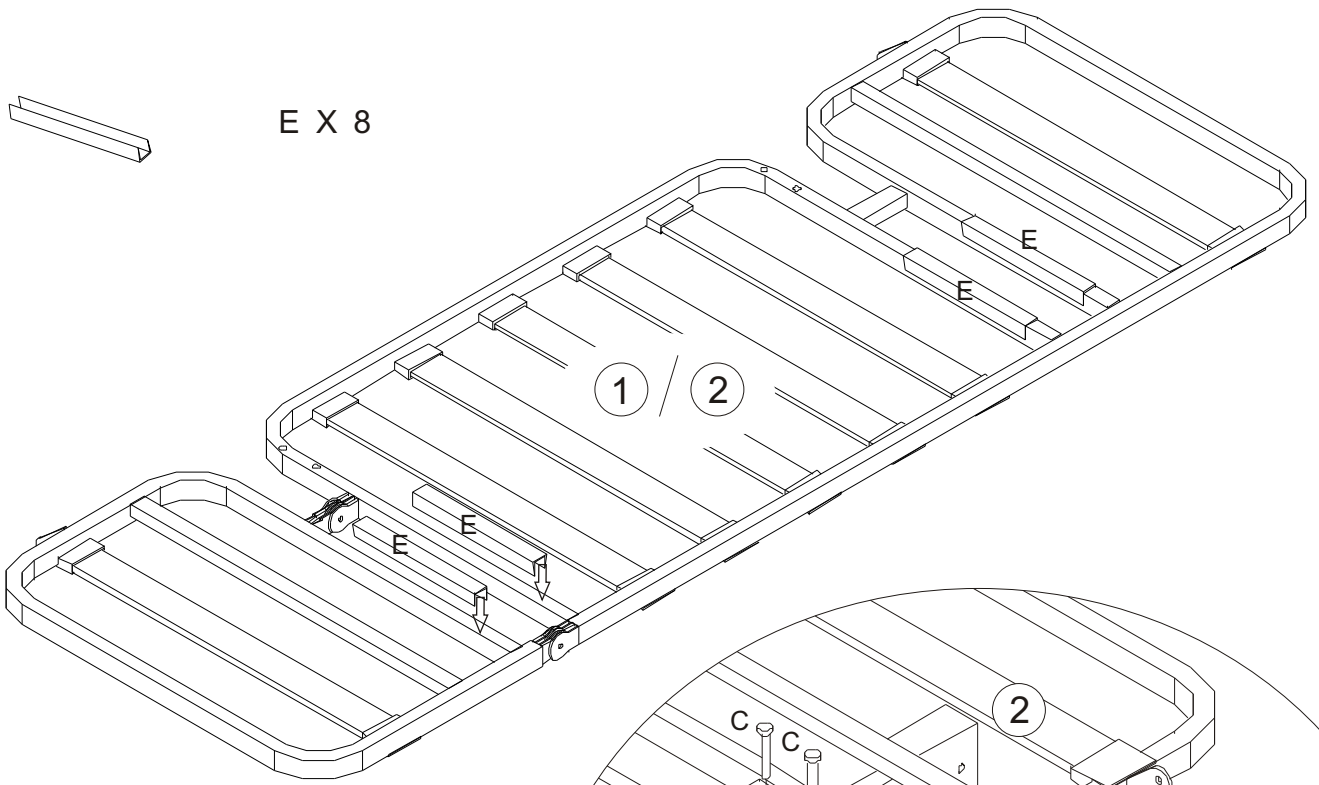
D X 4



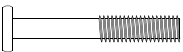
3.



E X 8



4.

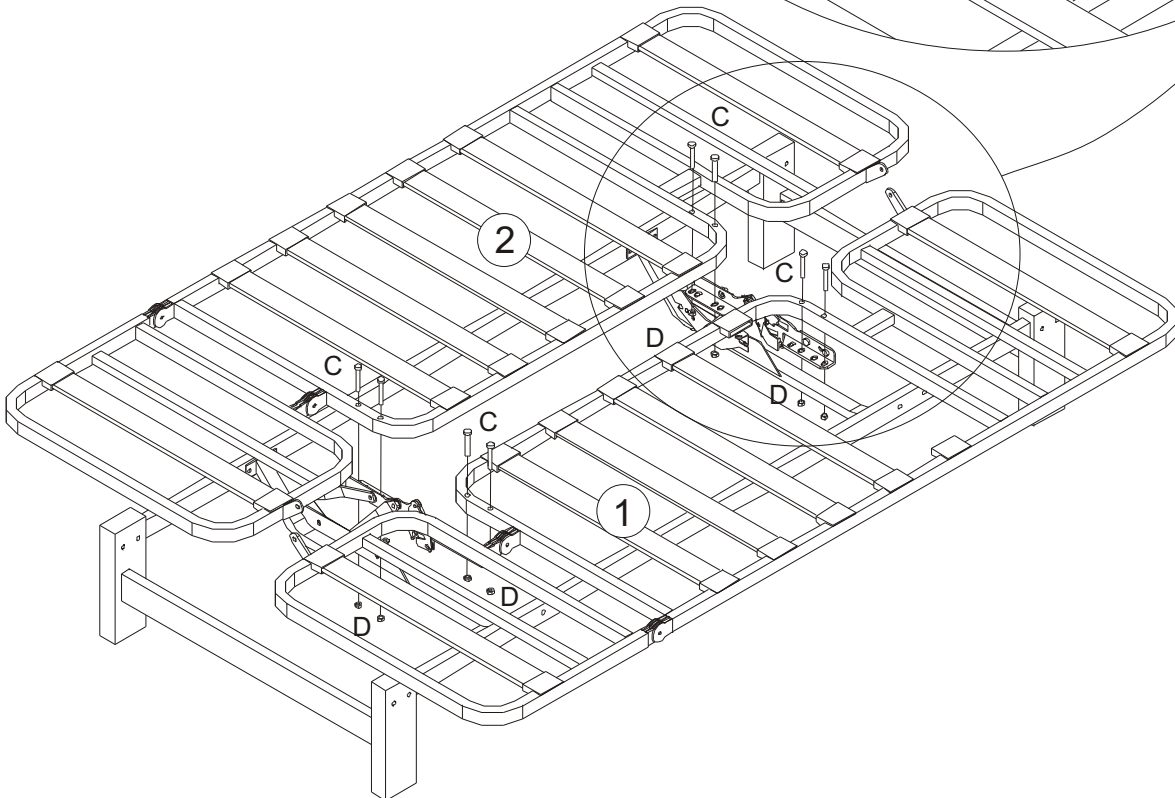
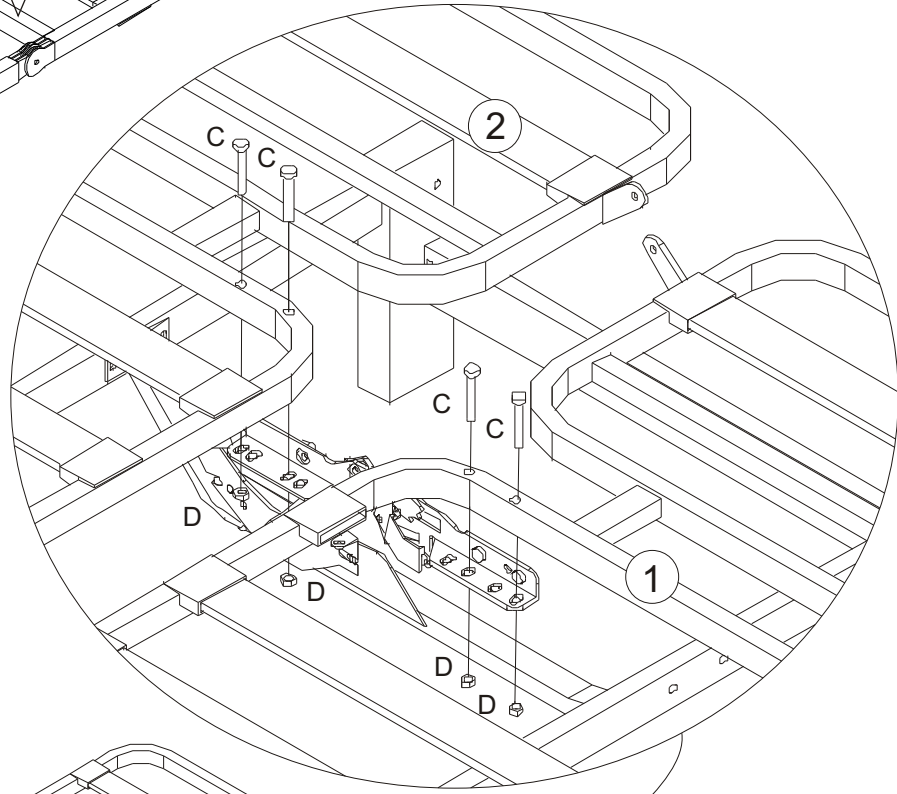


C X 8

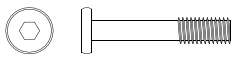


D X 16

Join Frame 1, 2 to the hinge through the screws&nuts.
Do not fasten the nut.



5.



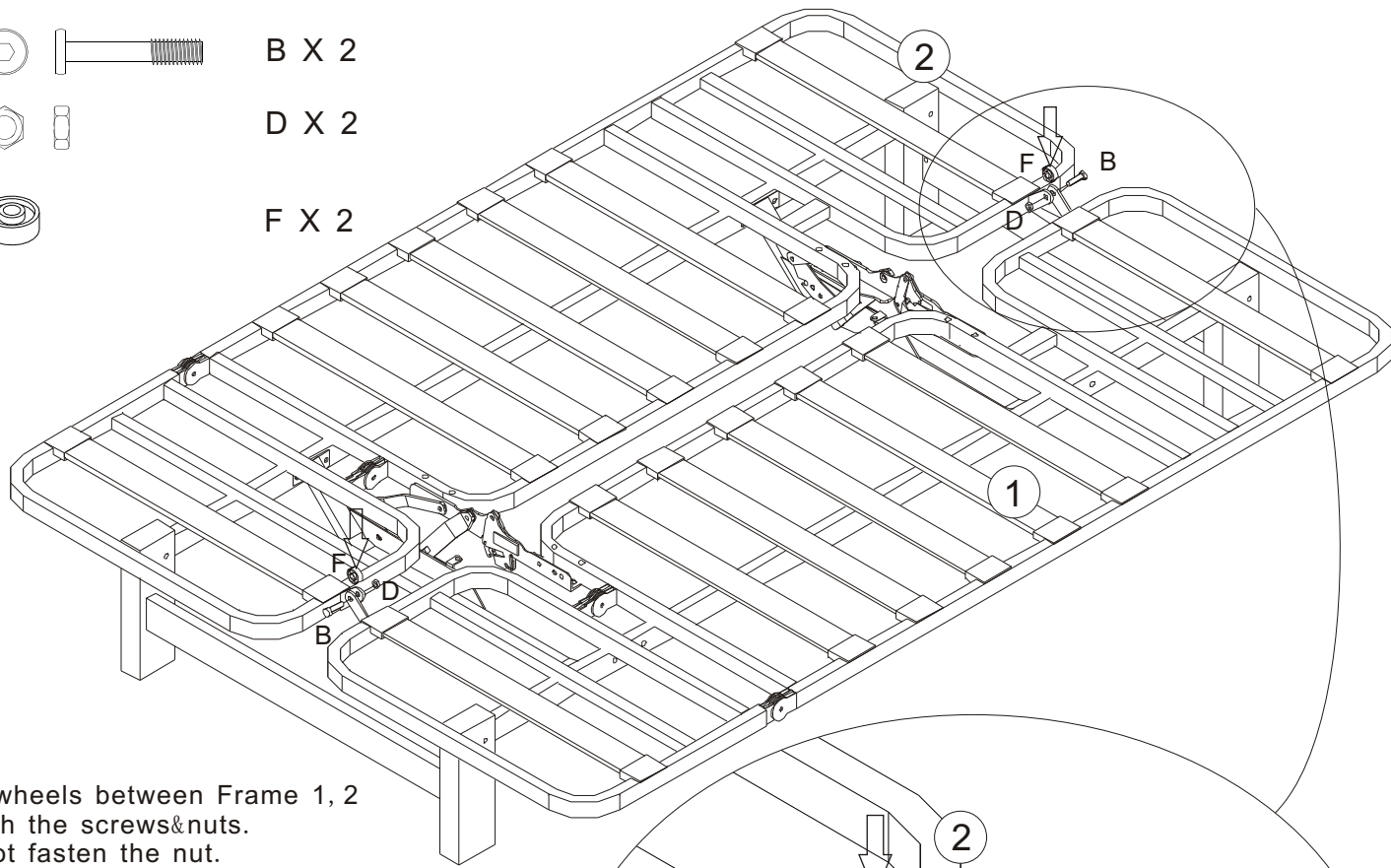
B X 2



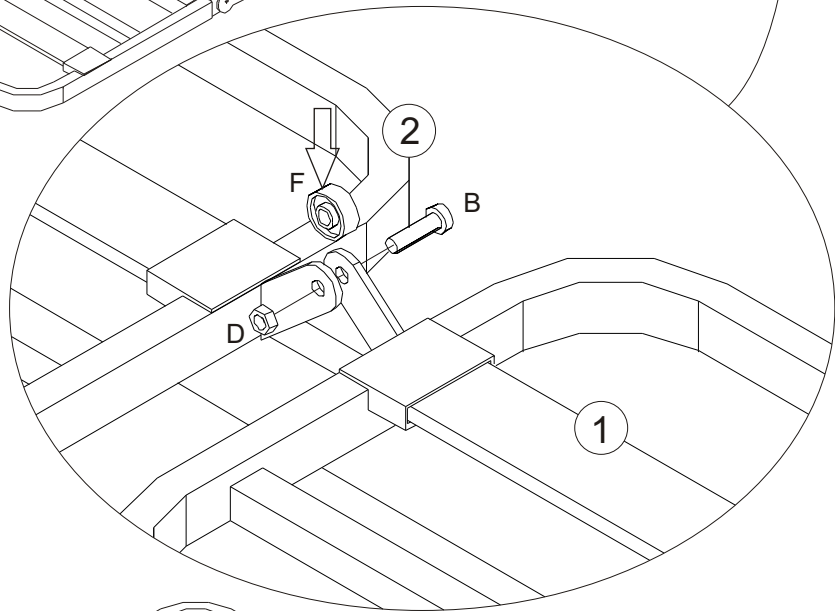
D X 2



F X 2



Join wheels between Frame 1, 2
through the screws&nuts.
Do not fasten the nut.



6.

All items be assembled, then
fasten all the screws&nuts.

