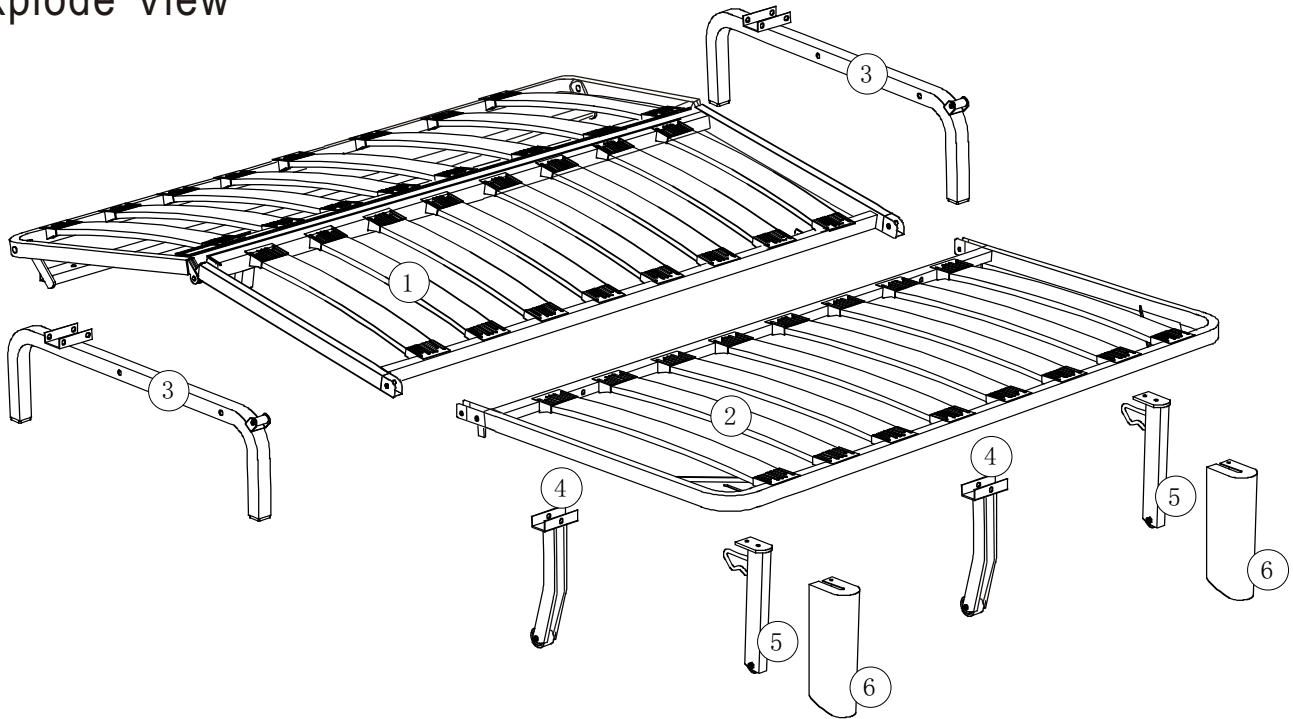
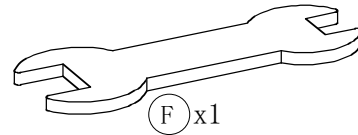
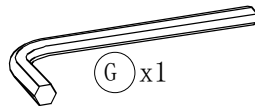
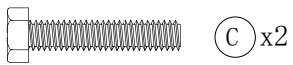
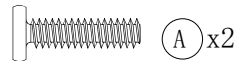
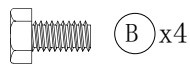
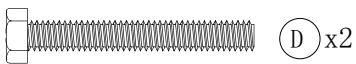


BONSAI140

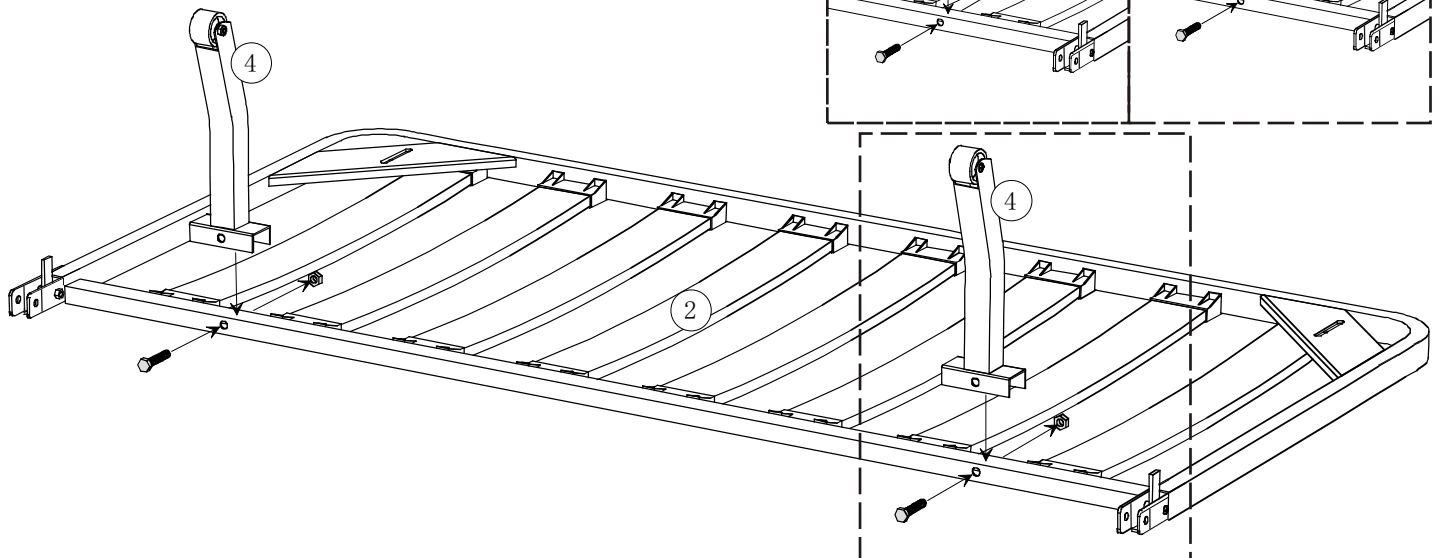
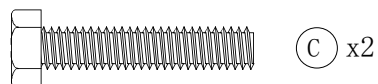
Explode View



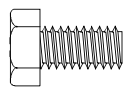
Fittings



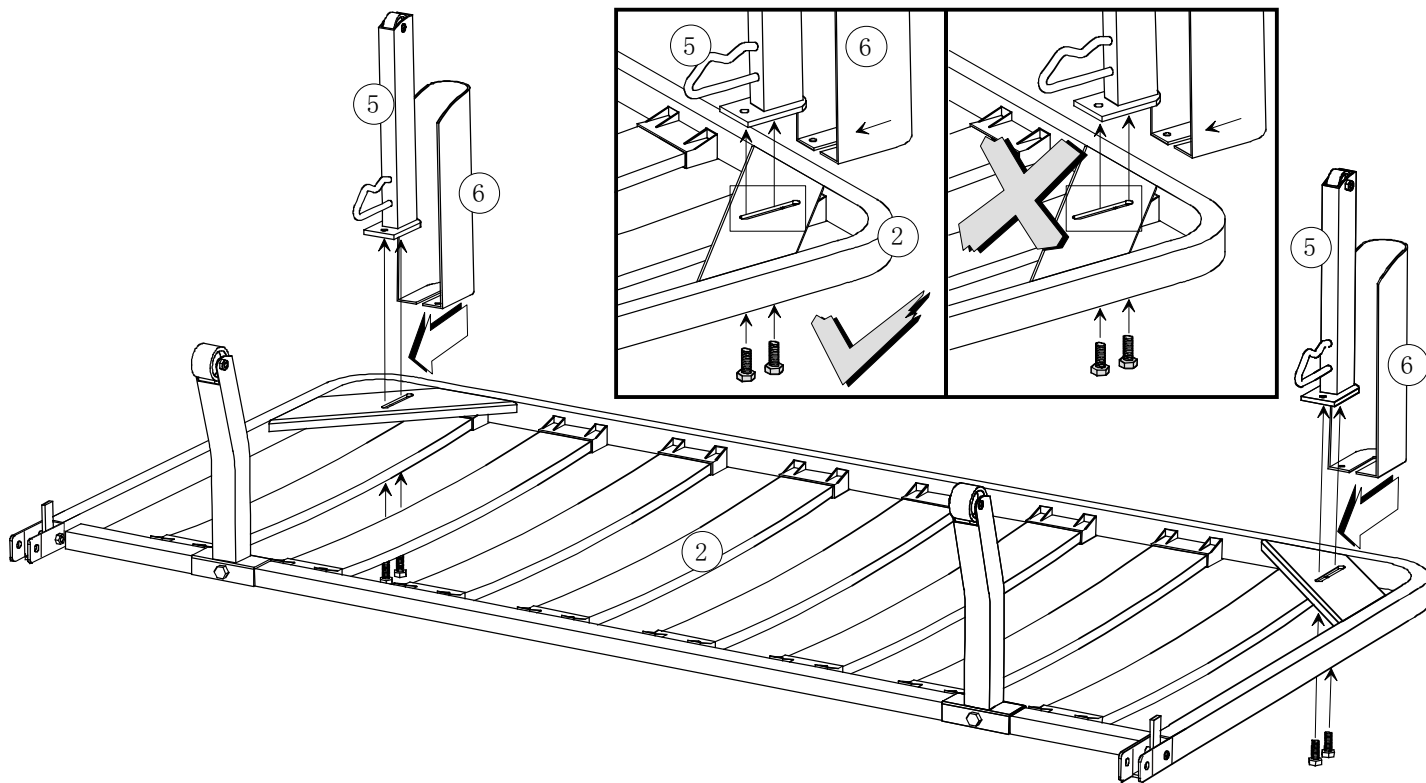
1 ▶



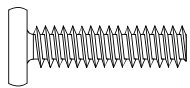
2 ▶



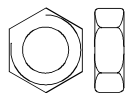
(B) x4



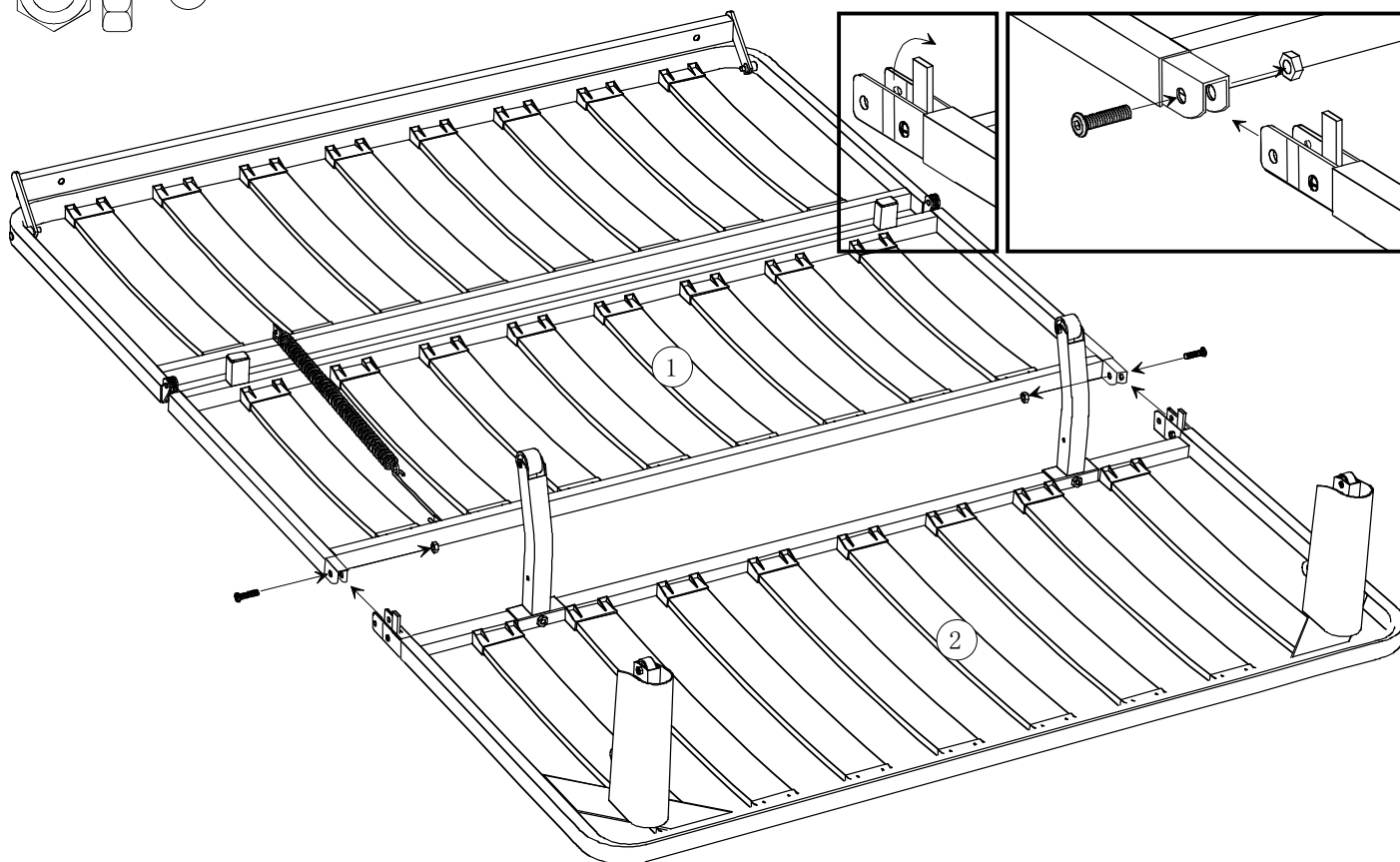
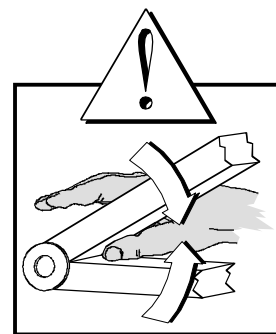
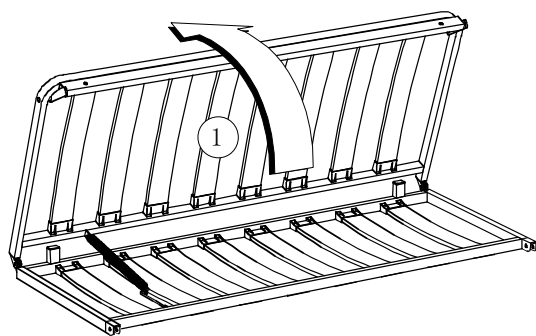
3 ▶



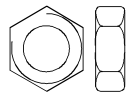
(A) x2



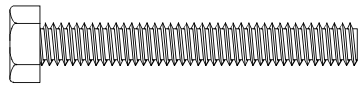
(E) x2



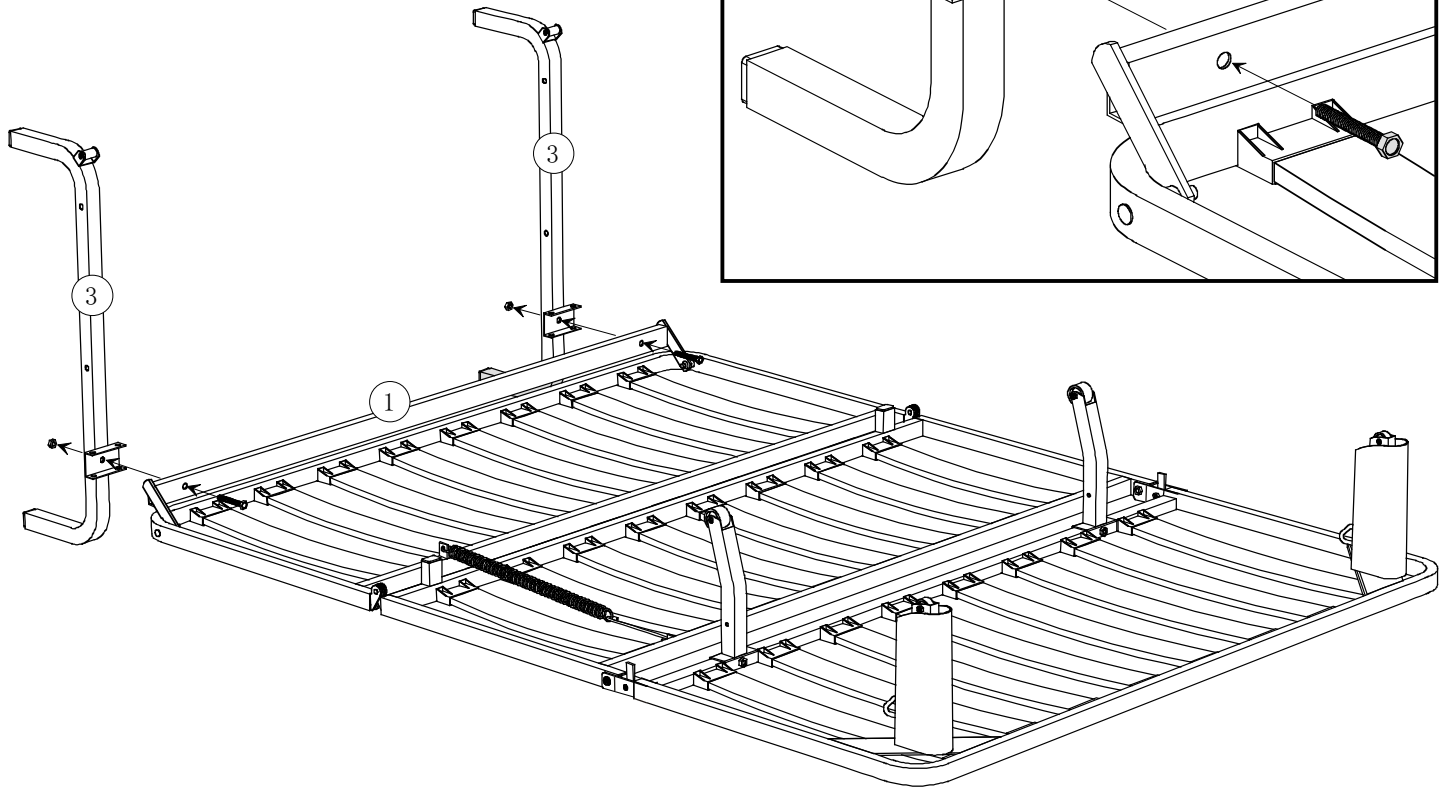
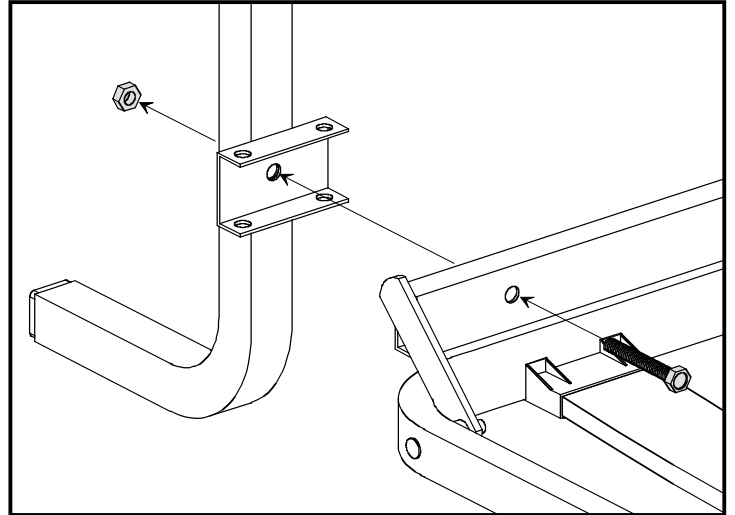
4 ▶



E x2



D x2



5 ▶

