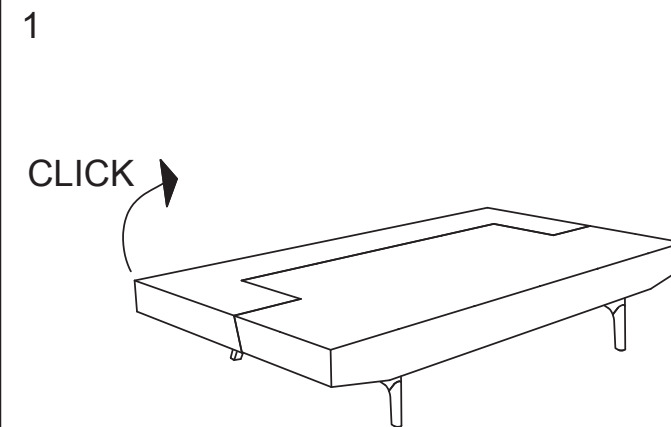
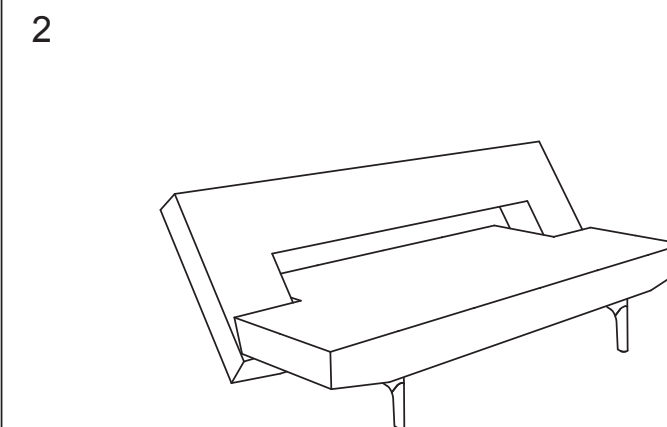


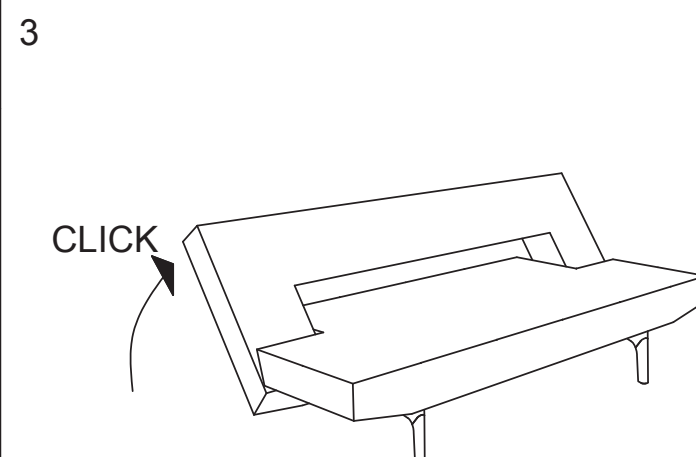
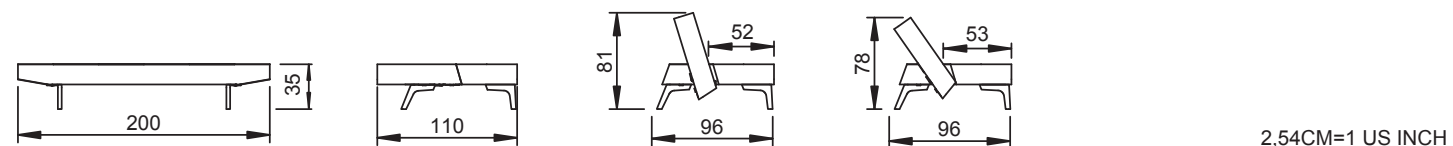
069569
PUZZLE WOOD



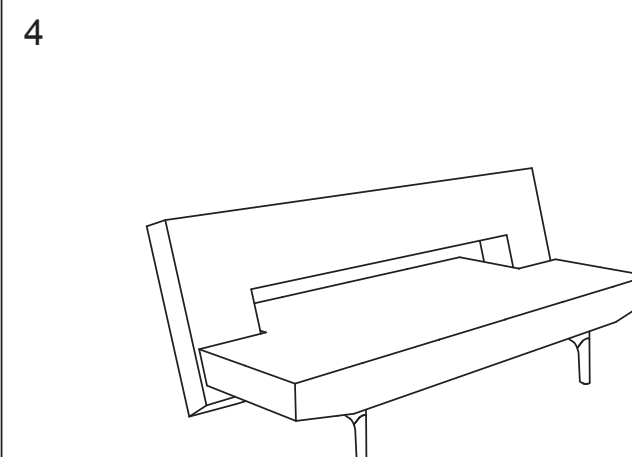
SOVE-SCHLAFEN-SLEEP-DORMIR



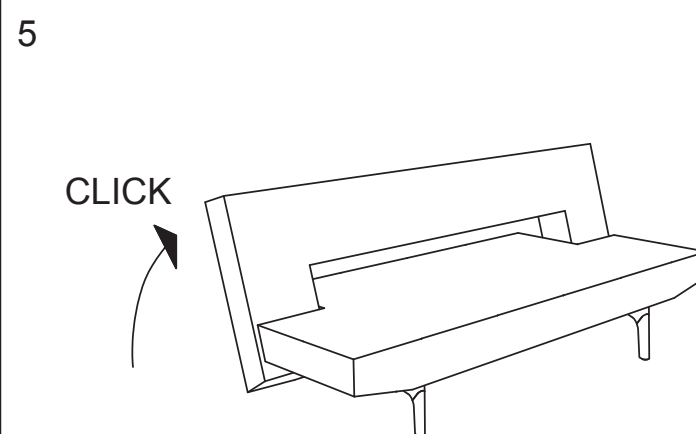
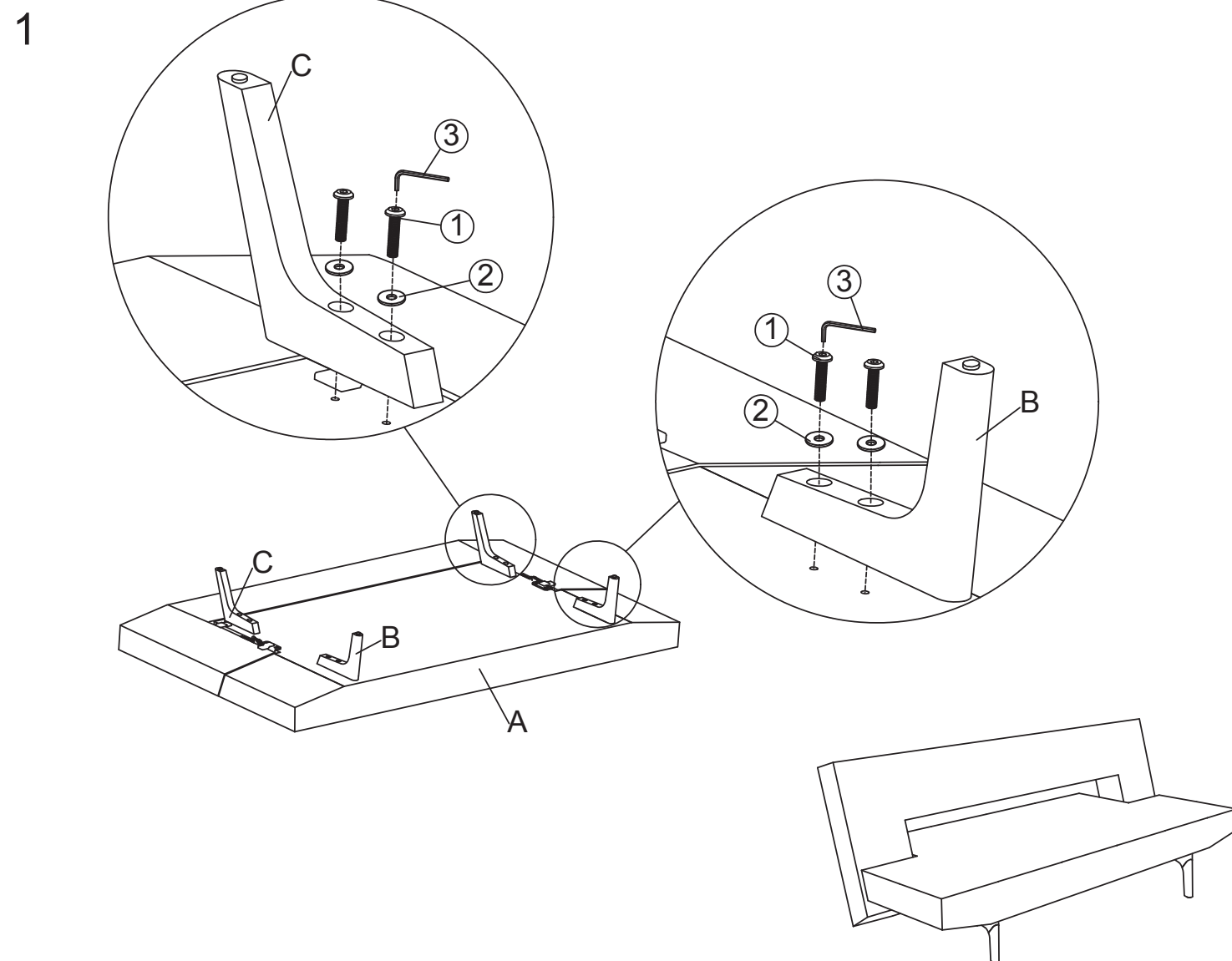
HVILE-RUHE-RELAX-REPOSER



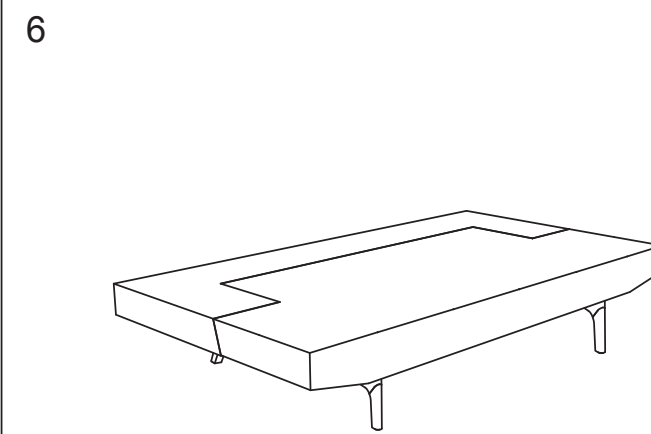
HVILE-RUHE-RELAX-REPOSER



SIDDE-SITZEN-SIT-ASSISE



SIDDE-SITZEN-SIT-ASSISE



SOVE-SCHLAFEN-SLEEP-DORMIR