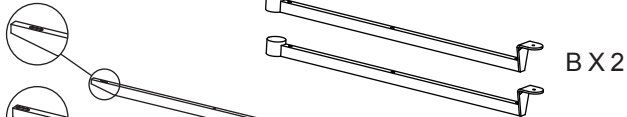


A X 1



B X 2



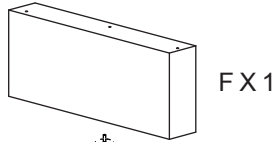
C X 1



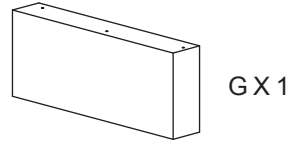
D X 1



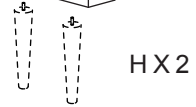
E X 1



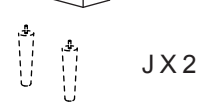
F X 1



G X 1



H X 2

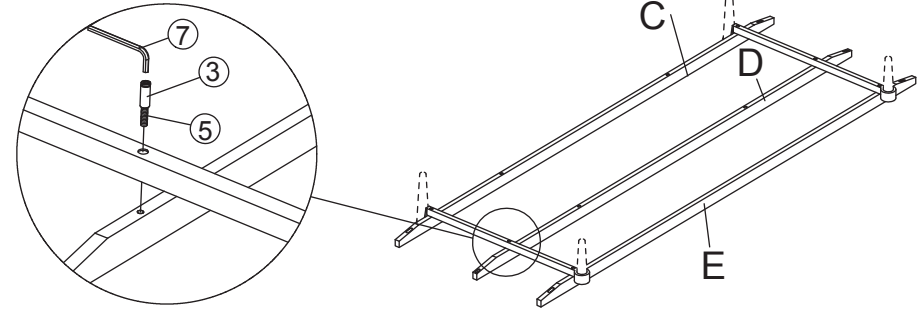
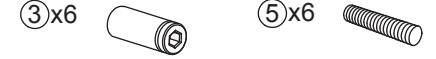


J X 2

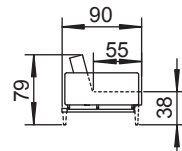
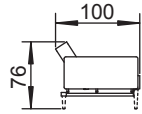
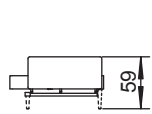
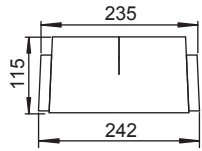
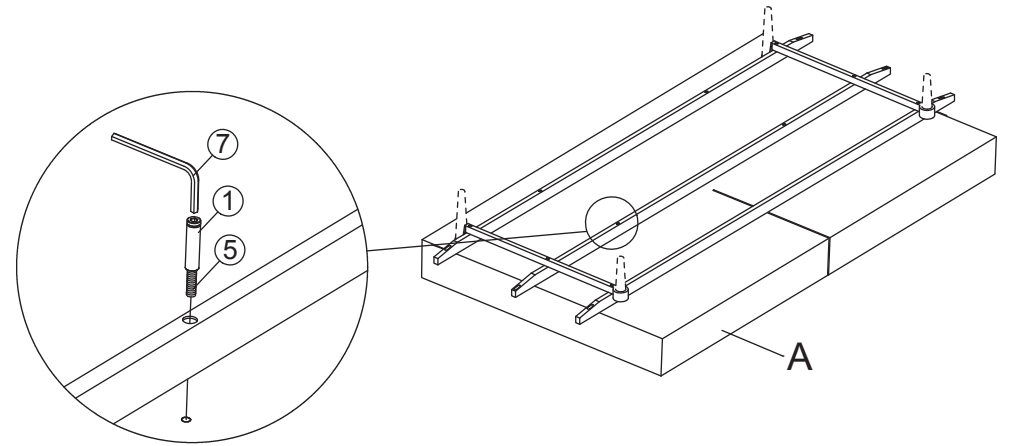


069546 SP HL LEG WITH ARMS

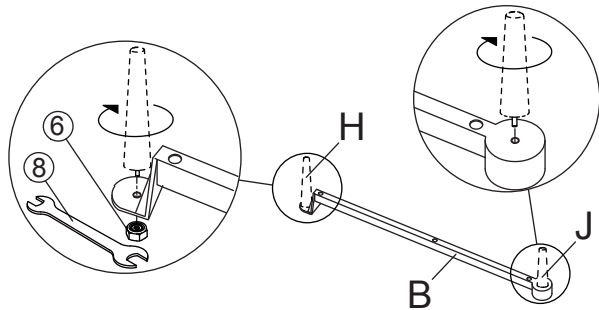
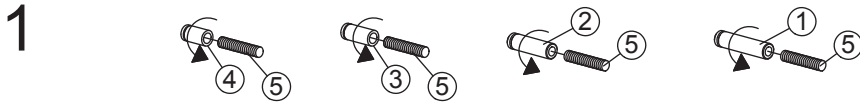
3



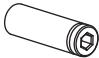
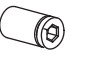

4

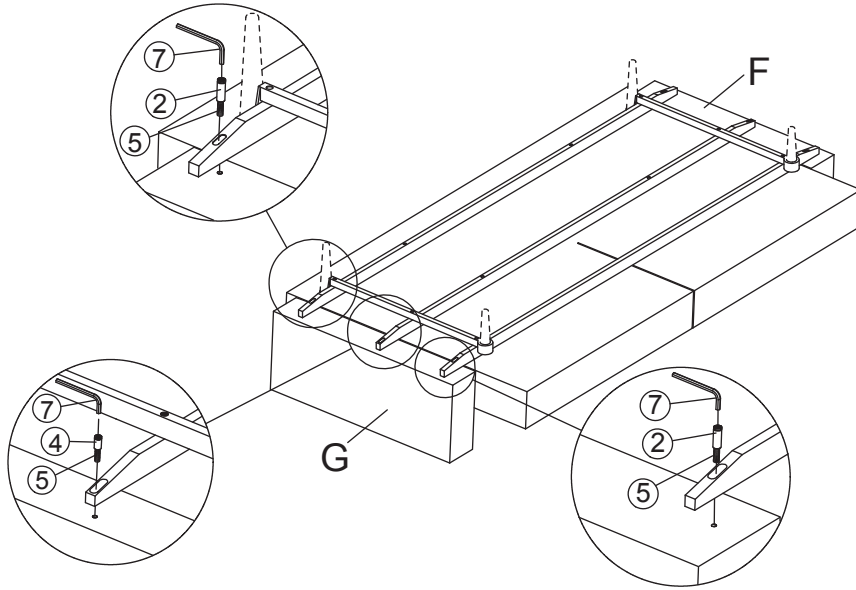


2.54 CM=1US INCH

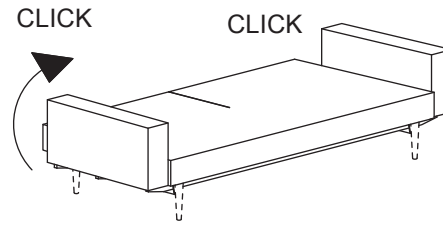


5

②x4  ④x2  ⑤x6 

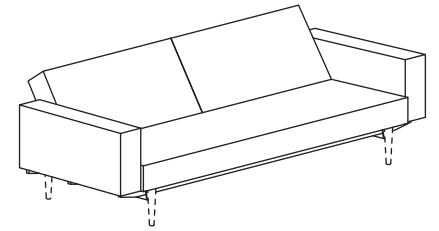


1



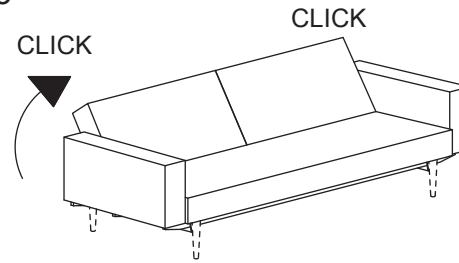
2

069546
SP HL LEG WITH ARMS

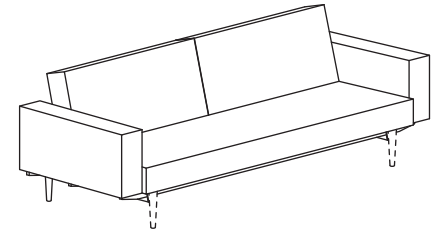


HVILE-RUHEN-RELAX-REPOSER

3

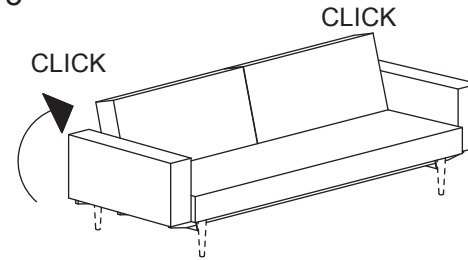


4

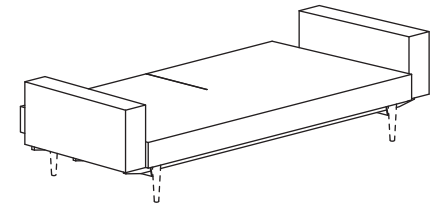


SIDDE-SITZEN-SIT-ASSISE

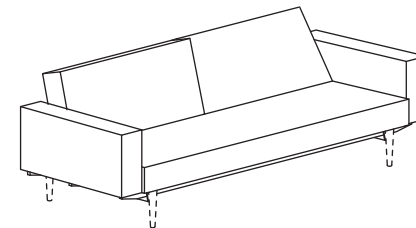
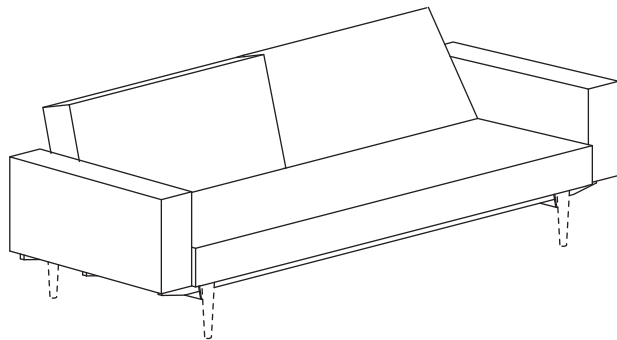
5



6



SOVE-SCHLAFEN-SLEEP-DORMIR



HVILE-RUHEN-RELAX-REPOSER/SIDDE-SITZEN-SIT-ASSISE